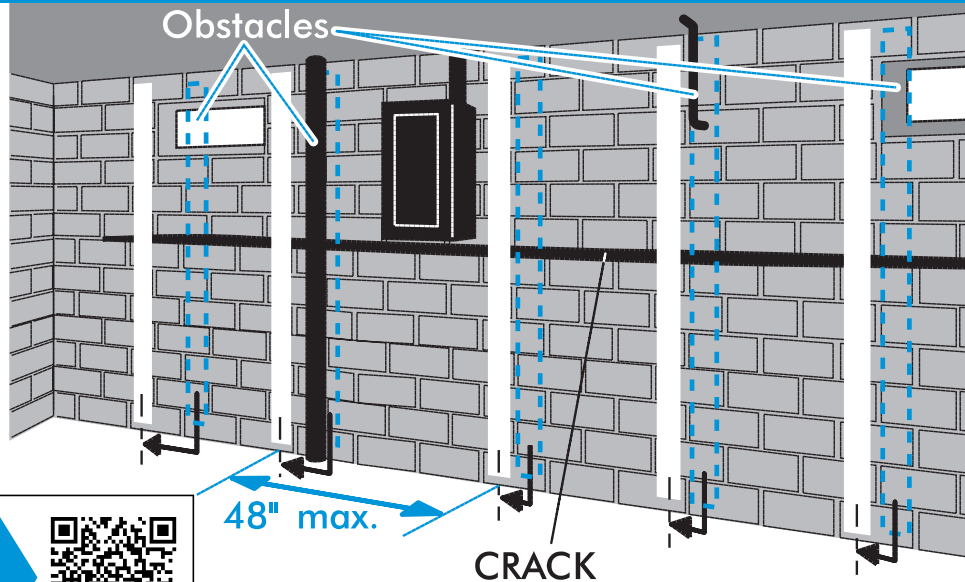


## Location of grid strap reinforcement system

Determine where to layout your straps. Take into account obstacles for the straps, as well as the top and bottom anchors. Spacing is not to exceed 48" centerline to centerline.



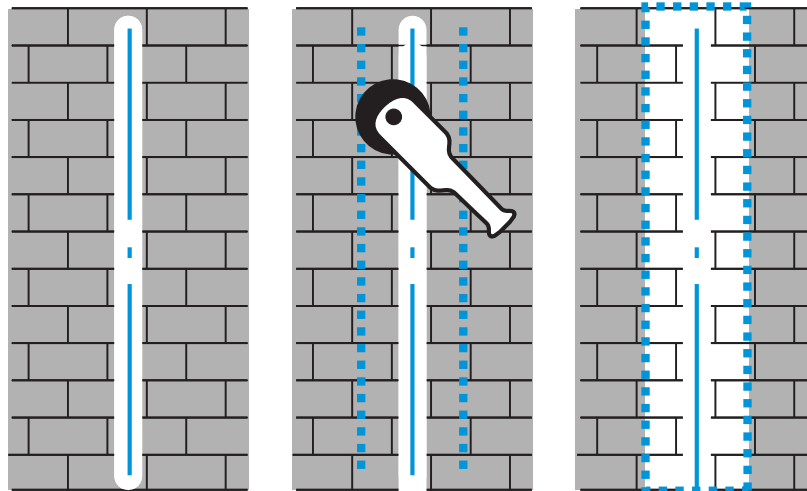
**NOTE:** See Fortress Spacing Tables PDF on our FOR PROS web page at [www.fortressstabilization.com/for-pros/](http://www.fortressstabilization.com/for-pros/) or use the QR code to take you there:



## PREPARING THE WALL

Once you've laid out the appropriate centers, mark each one with a plumb line. Mark off 3" on each side of the centerline and prepare the wall surface between these marks using a diamond cup wheel on a dustless grinder. Finish by vacuuming the wall to remove all dust and debris.

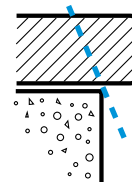
The wall surface within this space must be **FREE OF PAINT** and as smooth as possible.



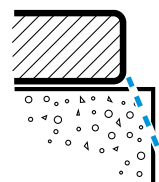
**NOTE:** This area must also be cleaned free of all dust before you can proceed.

**NOTE:** Top of wall may require additional attention.

Lumber cannot extend beyond the wall.

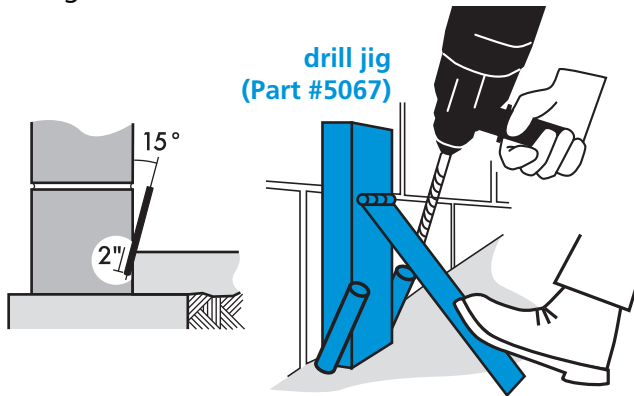


Sharp edges must be removed.

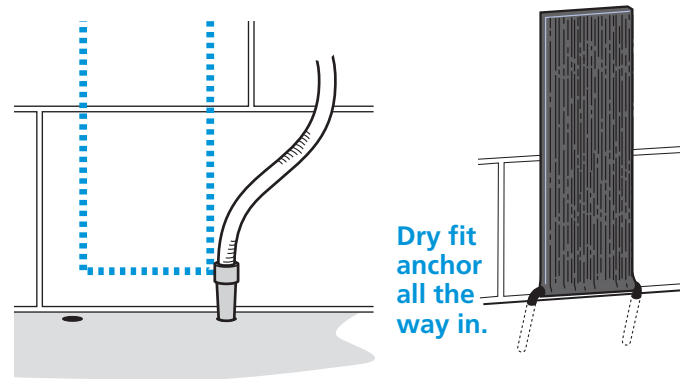


## PREPARE FOR BOTTOM ANCHORS

- Using the drill jig, drill two holes 1/2" deeper than anchor leg at a 15 degree angle into the bottom block.



- Clean out and vacuum the holes and the entire surface to be sure it is free of dust and debris. Dry fit anchor. Drill and clean again, if needed.

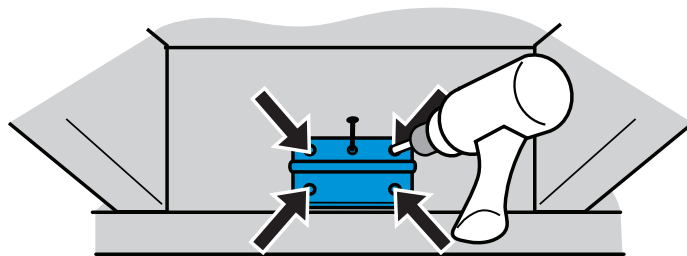
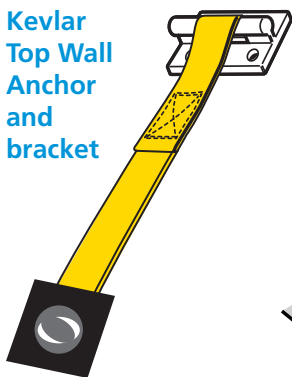


NOTE: To view instruction videos of the top and bottom anchors, visit our FOR PROS web page at [www.fortressstabilization.com/for-pros/](http://www.fortressstabilization.com/for-pros/) or use the QR code to take you directly there:

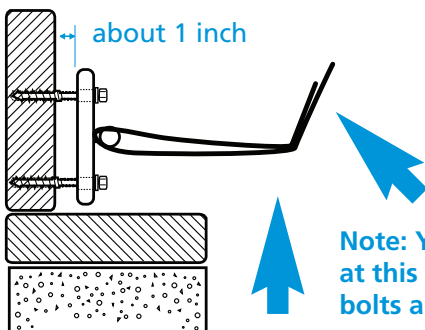
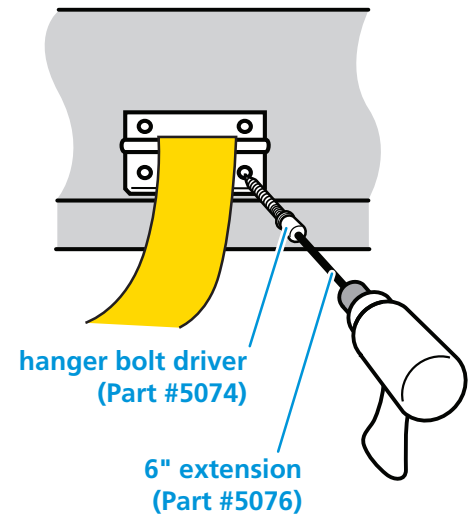


## PREPARE FOR TOP WALL ANCHORS

- Place top wall anchor drill jig against band board as close to the foundation plate as possible. Level and tack into place with a drywall screw through guide hole in bracket. Drill all four holes with 15/64" drill bit and then remove jig. Continue to drill all locations.



- Use the hanger bolt driver to drive in the hanger bolts up against the aluminum bracket (lag-portion only) 1-1/2" deep.



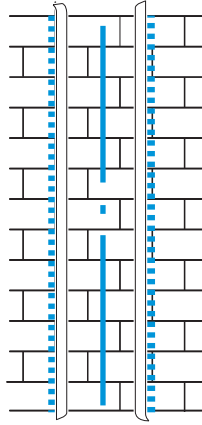
Note: You may choose to attach the top anchor to the studs at this time. Be sure to pull the anchor out to the ends of the bolts and then tuck the Kevlar strap up out of the way.



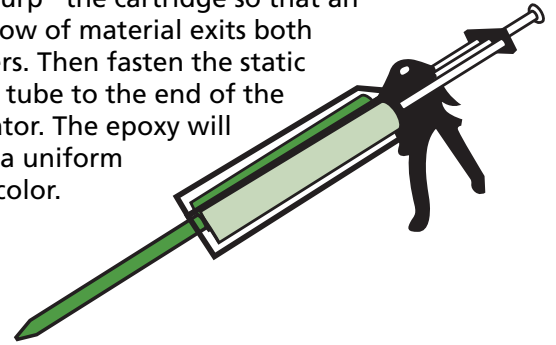
## ATTACHING THE GRID STRAP TO THE WALL

- 1 Mask off a 5" wide area with 2" masking tape.

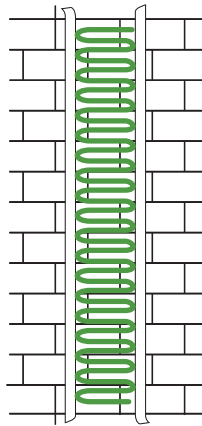
**Tip: The warmer the epoxy adhesive is, the faster it will set. You can save drying time by warming the epoxy. Do not exceed 90° F.**



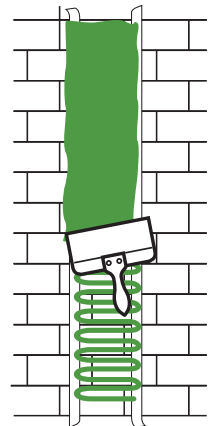
- 2 Load the double-cylinder epoxy cartridge into the epoxy applicator and "burp" the cartridge so that an even flow of material exits both cylinders. Then fasten the static mixing tube to the end of the applicator. The epoxy will mix to a uniform green color.



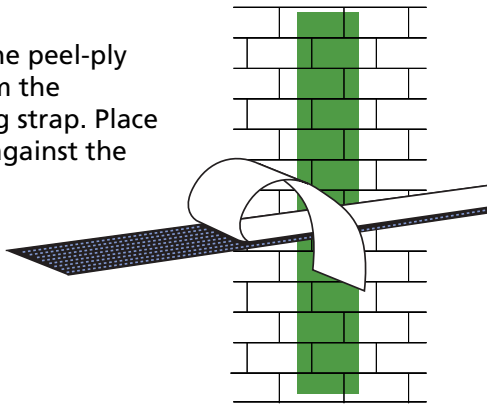
- 3 Beginning at the top, apply an even stream of epoxy in a zig zag pattern. Put on as much epoxy as needed to make a smooth, flat layer of sealer. Use about 1-1/2 tubes per strap.



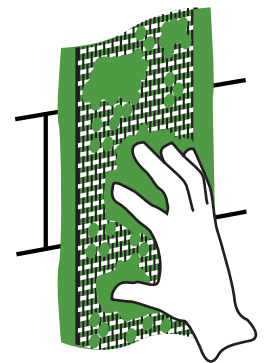
- 4 Using the large trowel, spread the epoxy to achieve an even and flat coating. Peel off the masking tape once the epoxy is spread.



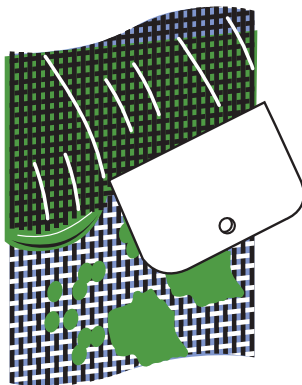
- 5 Remove the peel-ply fabric from the reinforcing strap. Place that side against the wall.



- 6 Position the reinforcing strap over the epoxy coating and press into place. Press the reinforcing strap to force the epoxy completely through the mesh.

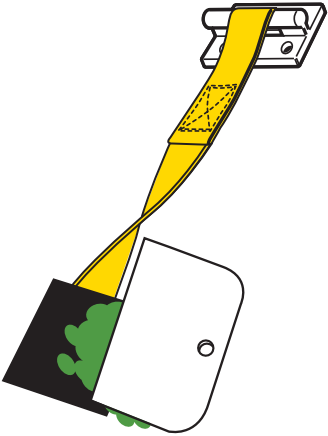


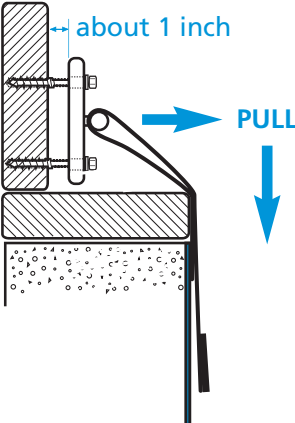
- 7 Trowel epoxy out evenly over the reinforcing strap. Ensure epoxy penetrates the mesh and covers the strap completely. Use trowel to push epoxy to fill gaps and unfilled spaces. Mesh must be completely covered.

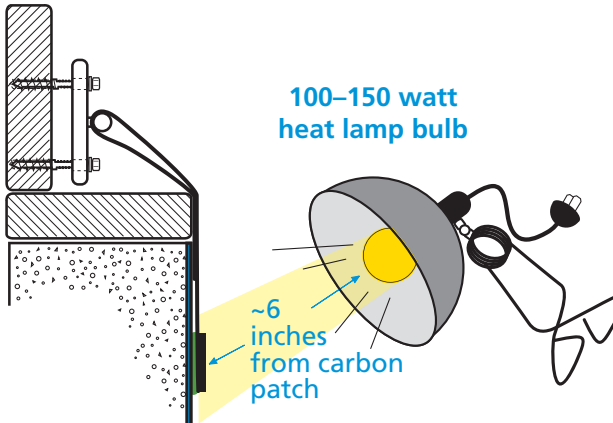


## APPLYING THE TOP WALL ANCHORS

- 1 Apply epoxy to the **BACK** of the carbon patch.

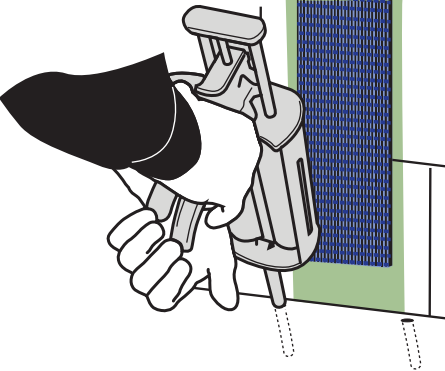

- 2 Apply bracket using washers and nuts. Pull the anchor out to the ends of the bolts and down to adhere to the grid strap.

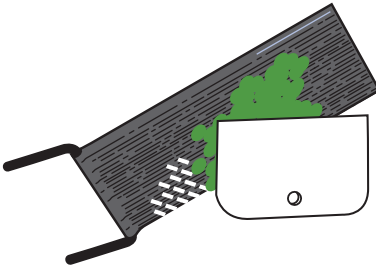

- 3 Apply heat using a clamping heat lamp within 6" of glued Kevlar strap. Heat cure for approximately 1 hour or until solid.

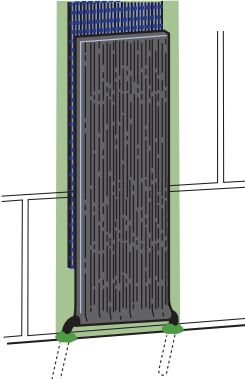


## INSTALL BOTTOM ANCHORS

- 1 Fill the anchor holes with epoxy as completely as possible.

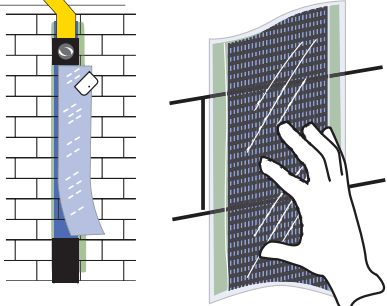

- 2 Apply epoxy to the **BACK** of the plate anchor before installing.


- 3 Insert the carbon plate into holes and press into grid strap.

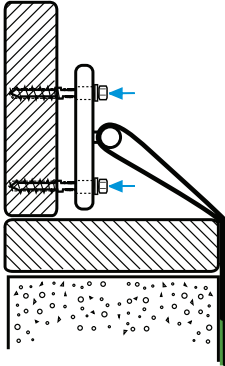


## FINISH

- 1 Position the narrow plastic cover sheet over the strap and trowel it smooth all the way down. Be sure to cover the mesh completely between the top and bottom anchors. Remove the plastic after 24-48 hours.


- 2 Post-tension all ties. Finger tighten all nuts snug and then tighten 1 to 2 more full turns with wrench. This will preload the Kevlar 300-500#

**NOTE:** Be sure to tighten each nut a little at a time to prevent stud pullout.



**DO NOT OVER TIGHTEN!**

Finger tight PLUS 1-2 turns with even tension

